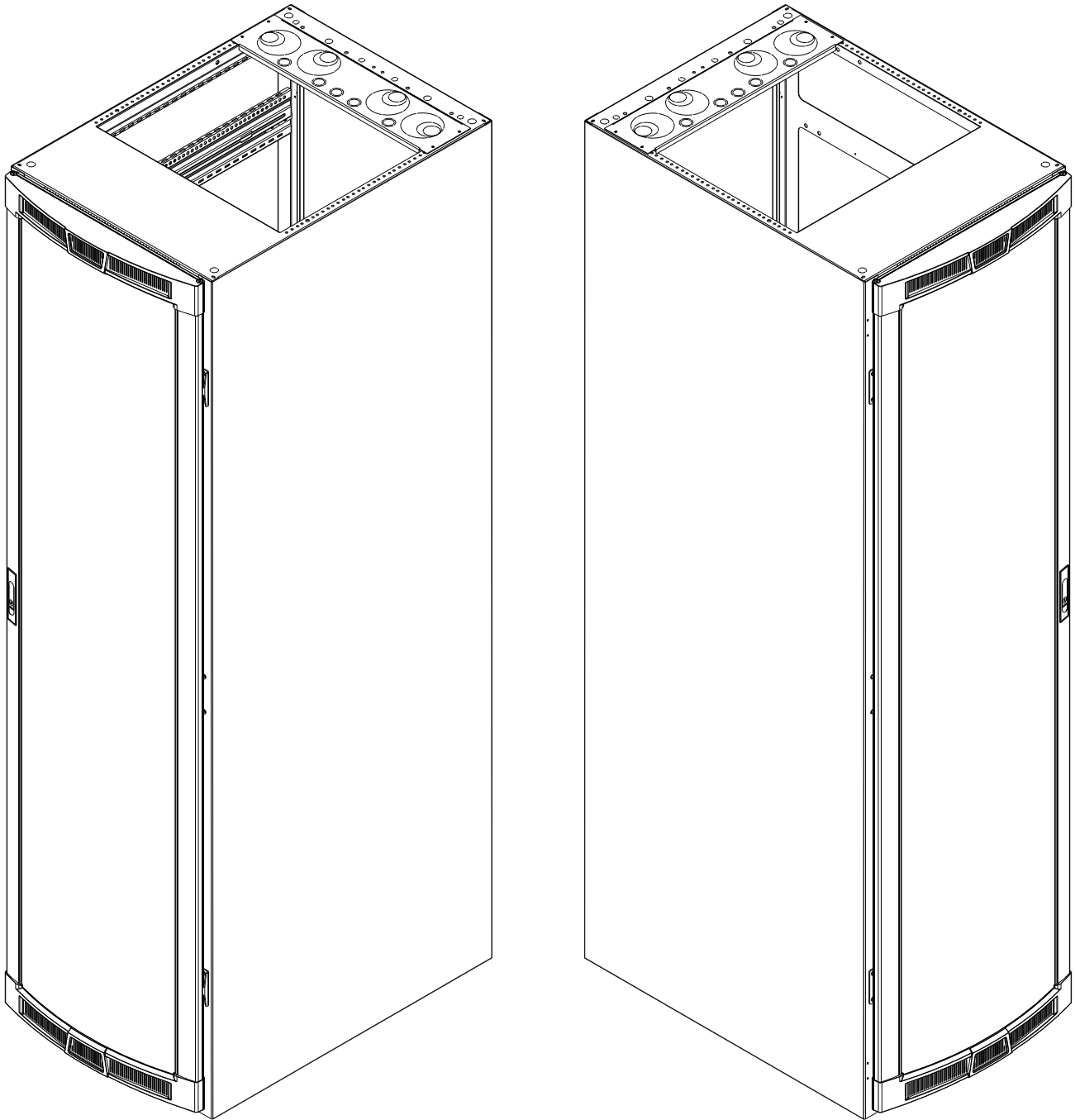


INSTALLATION INSTRUCTIONS

**ARC (CURVED)
FRONT DOOR**



THANK YOU

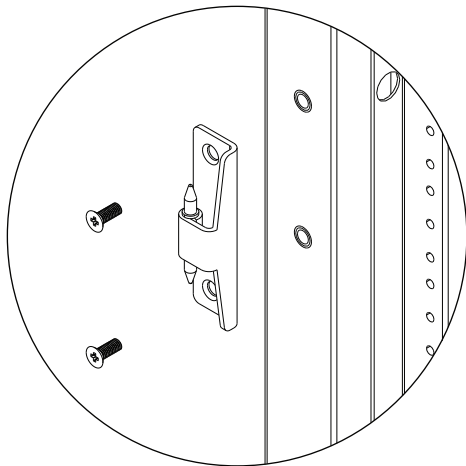
Thank you for purchasing the Arc (Curved) Front Door. Please read these instructions thoroughly before installing this product.

INSTALLATION

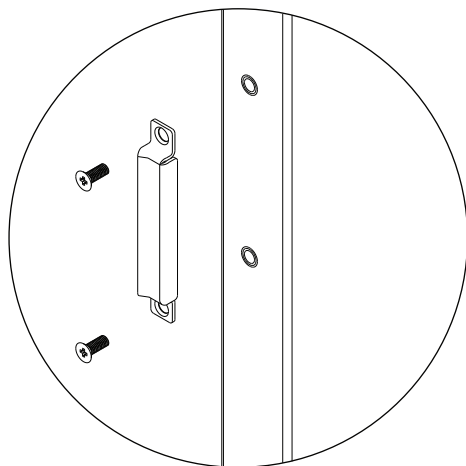
NOTE: Hinges and Door Strike can be installed on either side of the rack depending on desired swing direction.

1) Install Hinges onto rack using supplied screws (two per hinge) as shown. **(FIGURE A)**

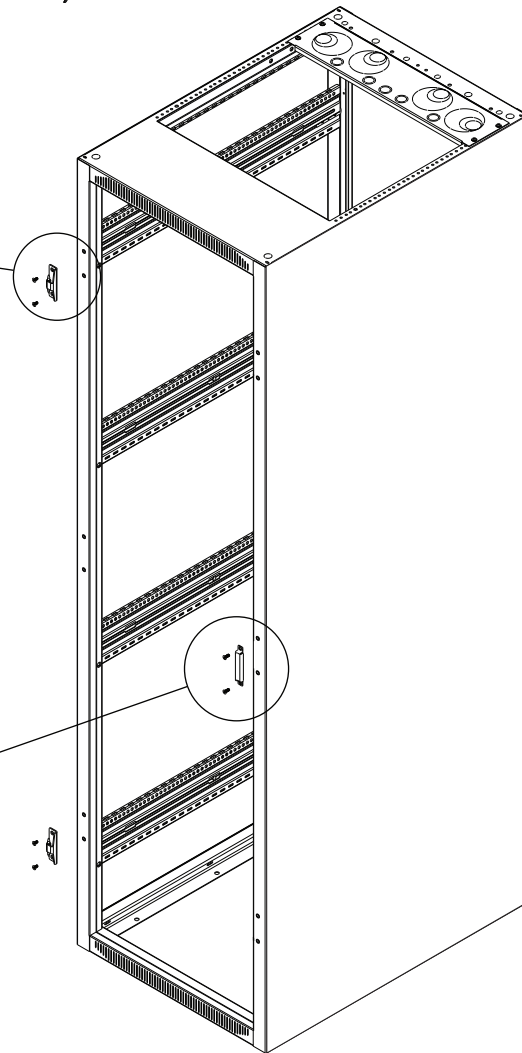
2) Install Door Strike using supplied screws. **(FIGURE A)**



(Installation of Hinges)

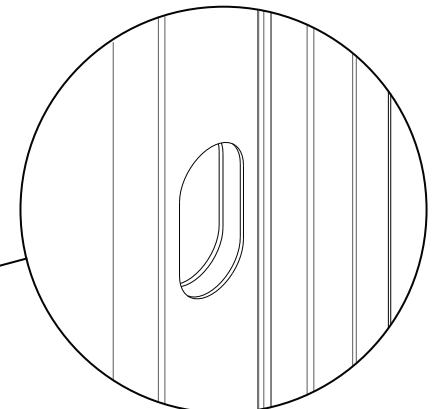
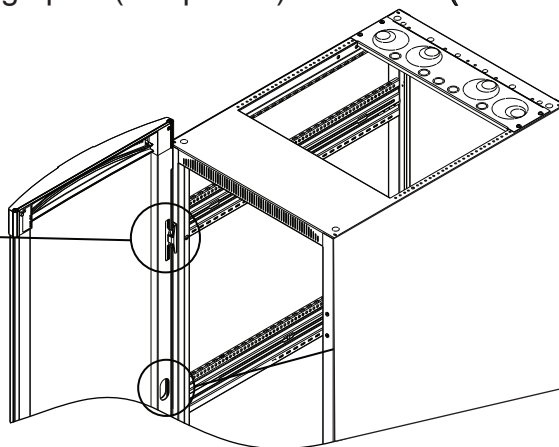
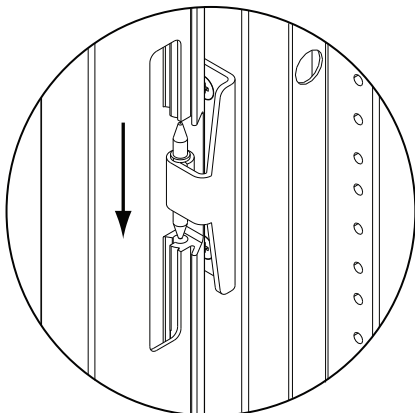


(Installation of Door Strike)



(FIGURE A)

3) Install Door by hanging onto hinge pins (two places) as shown. **(FIGURE B)**

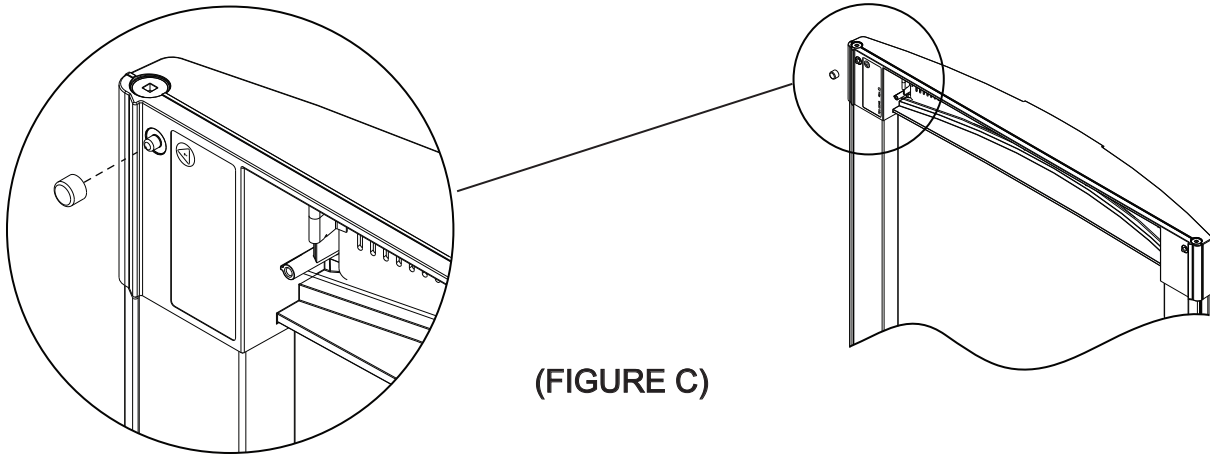


Door is equipped with inside pocket for easy lifting

(FIGURE B)

INSTALLATION (CONTINUED)

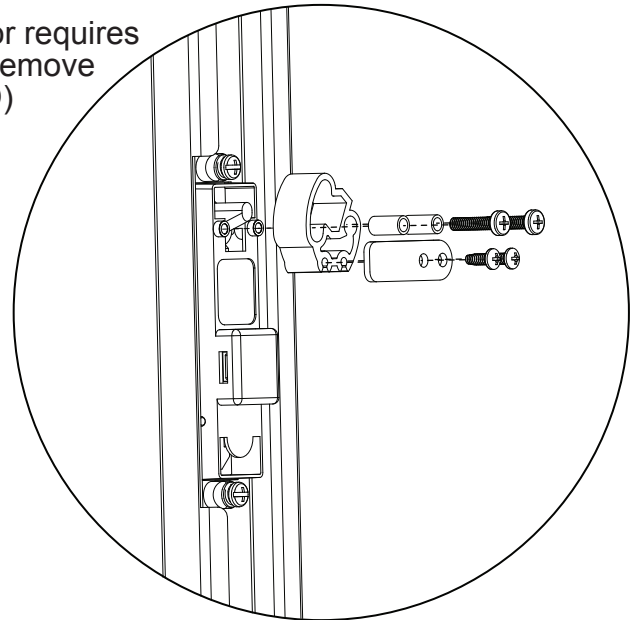
3) Install Door Cushions at the top and bottom locations, lock side of the door. (FIGURE C)



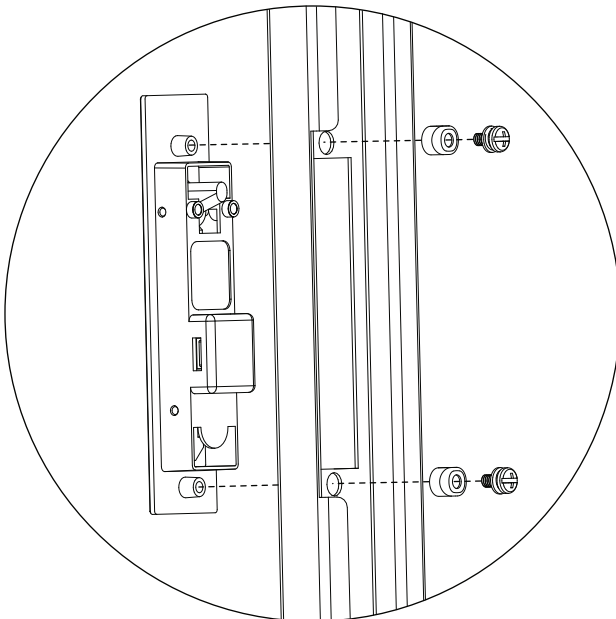
(FIGURE C)

ROTATING DOOR LOCK

1) Doors come pre-assembled for right hand swing. If the door requires a change in swing direction, the lock can be rotated. First remove the screws shown and then the cam and latch. (FIGURE D)

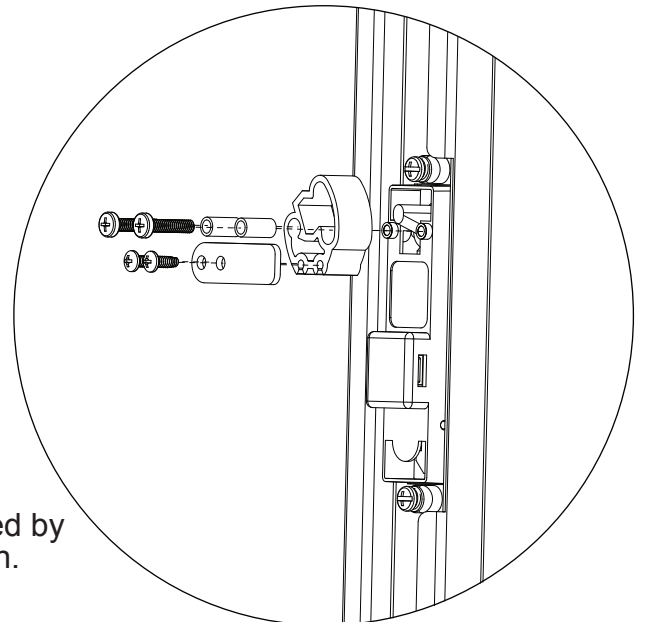


(FIGURE D)



(FIGURE E)

2) Remove the handle prior to rotating the door as shown. (FIGURE E)

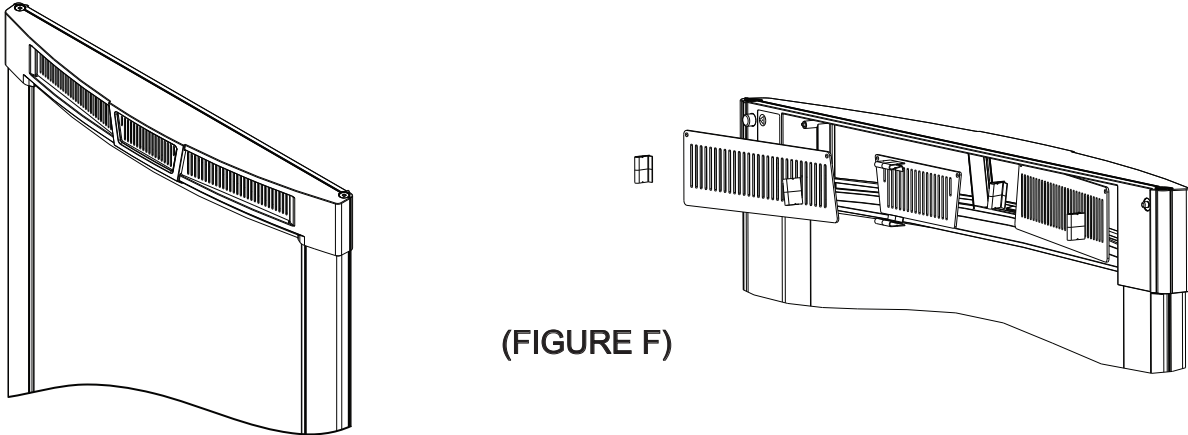


(FIGURE F)

3) Reinstall the handle followed by the cam and latch as shown. (FIGURE F)

CUSTOMIZATION OPTIONS

Top and bottom panels can be removed for customization by removing the clips (two clips per panel) as shown. **(FIGURE F)**



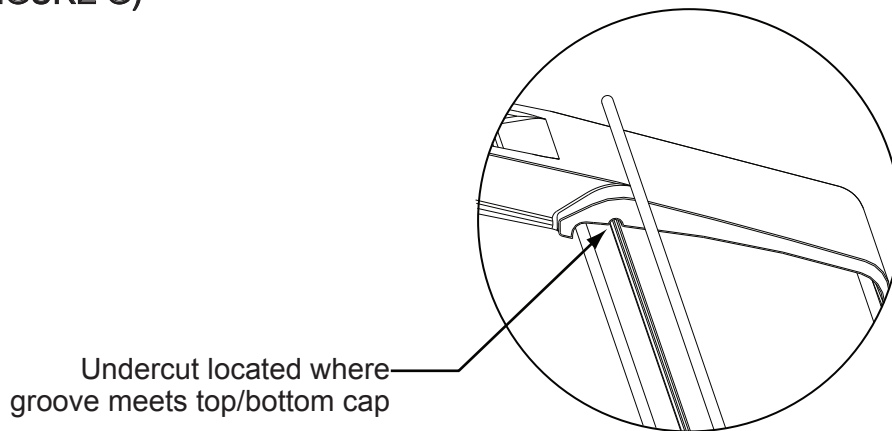
(FIGURE F)

DOOR ACCENT TRIM

Factory-installed Door Accent Trim can be replaced with provided color options using a thin tool to gently lift out of the groove.

Install new Accent Trim by inserting one end into the undercut of the top. Slowly press into the door groove while holding Trim in position. DO NOT stretch while pressing into groove to prevent sliding.

When the bottom of the door is reached, adjust remaining length as needed and insert into undercut. **(FIGURE G)**



(FIGURE G)

WARRANTY

Middle Atlantic Products, Inc. (the "Company") warrants the Arc (Curved) Front Door to be free from defects in material or workmanship under normal use and conditions for the lifetime of the product.

The Company's entire liability to the purchaser, and the purchaser's (or any other party's) sole and exclusive remedy, under this warranty shall be limited, at the Company's option, to either (a) return of and refund of the price paid for, or (b) repair or replacement at the Company's factory of the products purchased, or any part or parts thereof, which the Company has determined to be defective after inspection thereof at the Company's factory. This warranty does not cover damage due to acts of God, accident, misuse, abuse or negligence by parties other than the Company, or any modification or alteration of the products. In addition, this warranty does not cover damage due to improper handling, assembly, installation or maintenance.

THIS WARRANTY IS IN LIEU OF ALL OTHER WARRANTIES OF ANY KIND, EITHER EXPRESSED OR IMPLIED, INCLUDING, BUT NOT LIMITED TO, IMPLIED WARRANTIES OF MERCHANTABILITY AND FITNESS FOR A PARTICULAR PURPOSE.

TO THE MAXIMUM EXTENT PERMITTED BY APPLICABLE LAW, IN NO EVENT SHALL THE COMPANY BE LIABLE FOR ANY SPECIAL, INCIDENTAL, INDIRECT, OR CONSEQUENTIAL DAMAGES WHATSOEVER (INCLUDING, WITHOUT LIMITATION, DAMAGES FOR LOSS OF BUSINESS PROFITS, BUSINESS INTERRUPTION OR ANY OTHER PECUNIARY LOSS) ARISING OUT OF THE USE OF THE PRODUCTS PURCHASED, EVEN IF THE COMPANY HAS BEEN ADVISED OF THE POSSIBILITY OF SUCH DAMAGES. THE COMPANY'S LIABILITY TO THE PURCHASER (OR ANY OTHER PARTY) HEREUNDER, IF ANY, SHALL IN NO EVENT EXCEED THE PURCHASE PRICE OF THE PRODUCTS PAID TO THE COMPANY.

Corporate Headquarters

Corporate Voice 973-839-1011 - Fax 973-839-1976 / International Voice +1 973-839-8821 - Fax +1 973-839-4982
middleatlantic.com - info@middleatlantic.com

Middle Atlantic Canada

Voice 613-836-2501 - Fax 613-836-2690 / middleatlantic.ca - customerservicecanada@middleatlantic.ca

Factory Distribution

USA: NJ - CA - IL Canada: ON - BC

At Middle Atlantic Products we are always listening. Your comments are welcome.

Middle Atlantic Products is an ISO 9001 and ISO 14001 Registered Company.

